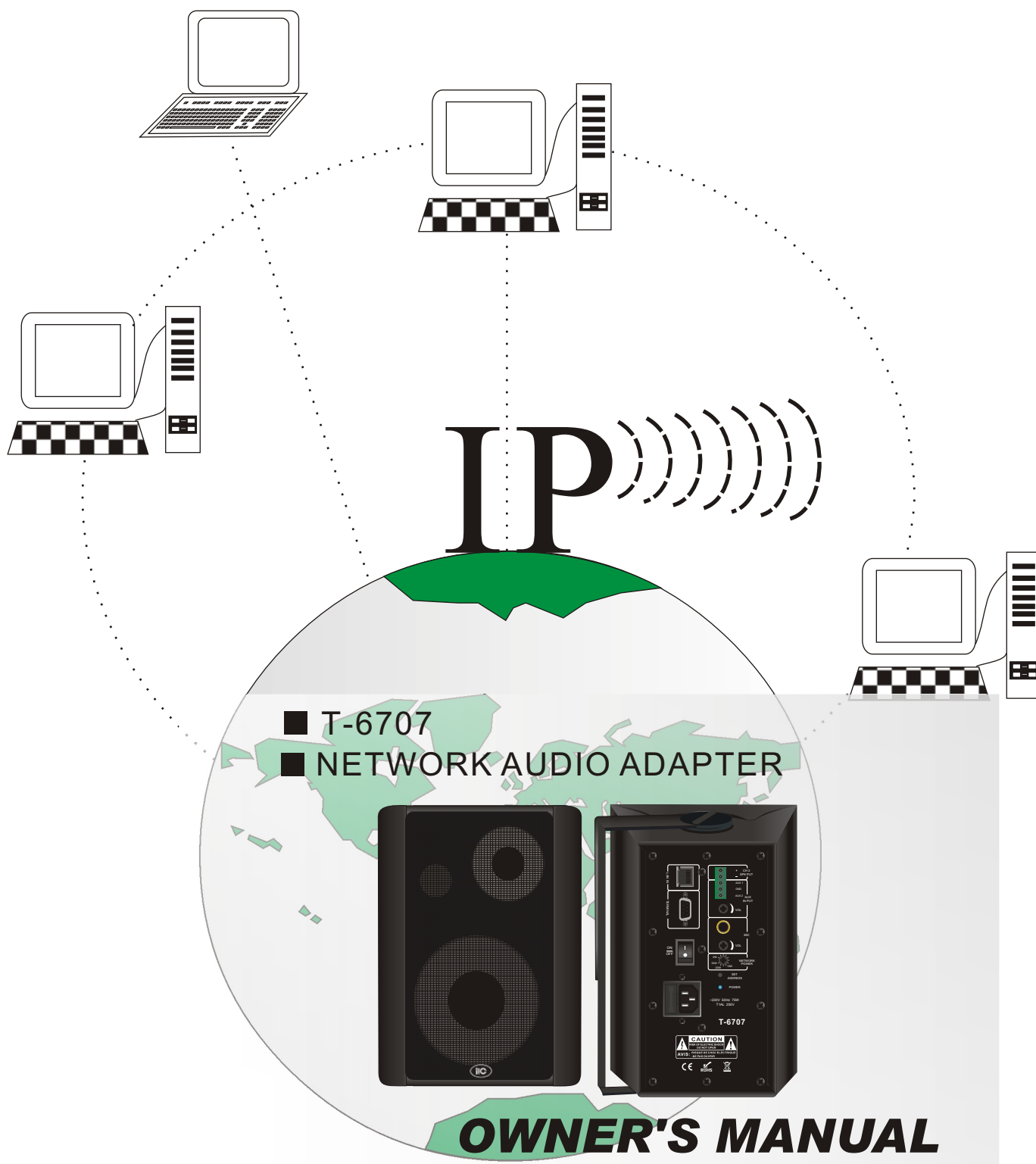


itC IP NETWORK PUBLIC ADDRESS SYSTEM



Please follow the instructions in this manual to obtain the optimum results from this unit.
We also recommend that you keep this manual handy for future reference.

● TABLE OF CONTENTS ●

1. SAFETY PRECAUTIONS	1
2. GENERAL DESCRIPTION	3
3. FEATURES	3
4. NOMENCLATURE AND FUNCTIONS.....	4
5. OPERATION	5
6. CONNECTION DIAGRAM	7
7. SCHEMATIC DIAGRAM.....	8
8. SPECIFICATIONS.....	9

1. SAFETY PRECAUTIONS

- Be sure to read the instructions in this section carefully before use.
- Make sure to observe the instructions in this manual as the conventions of safety symbols and messages regarded as very important precautions are included.
- We also recommend you keep this instruction manual handy for future reference.

Safety Symbol and Message Conventions

Safety symbols and messages described below are used in this manual to prevent bodily injury and property damage which could result from mishandling. Before operating your product, read this manual first and understand the safety symbols and messages so you are thoroughly aware of the potential safety



WARNING

Indicates a potentially hazardous situation which, if mishandled, could result in death or serious personal injury.



CAUTION

Indicates a potentially hazardous situation which, if mishandled, could result in moderate or minor personal injury, and/or property damage.



WARNING

When Installing the Unit

- Do not expose the unit to rain or an environment where it may be splashed by water or other liquids, as doing so may result in fire or electric shock.
- Use the unit only with the voltage specified on the unit. Using a voltage higher than that which is specified may result in fire or electric shock.
- Do not cut, kink, otherwise damage nor modify the power supply cord. In addition, avoid using the power cord in close proximity to heaters, and never place heavy objects -- including the unit itself -- on the power cord, as doing so may result in fire or electric shock.
- Be sure to replace the unit's terminal cover after connection completion. Because high voltage is applied to the speaker terminals, never touch these terminals to avoid electric shock.
- Be sure to ground to the safety ground (earth) terminal to avoid electric shock. Never ground to a gas pipe as a catastrophic disaster may result.
- Avoid installing or mounting the unit in unstable locations, such as on a rickety table or a slanted surface. Doing so may result in the unit falling down, causing personal injury and/or property damage.

When the Unit is in Use

- Should the following irregularity be found during use, immediately switch off the power, disconnect the power supply plug from the AC outlet and contact your nearest **ITC** dealer. Make no further attempt to operate the unit in this condition as this may cause fire or electric shock.
 - If you detect smoke or a strange smell coming from the unit.
 - If water or any metallic object gets into the unit
 - If the unit falls, or the unit case breaks
 - If the power supply cord is damaged (exposure of the core, disconnection, etc.)
 - If it is malfunctioning (no tone sounds.)
- To prevent a fire or electric shock, never open nor remove the unit case as there are high voltage components inside the unit. Refer all servicing to your nearest **ITC** dealer.
- Do not place cups, bowls, or other containers of liquid or metallic objects on top of the unit. If they accidentally spill into the unit, this may cause a fire or electric shock.
- Do not insert nor drop metallic objects or flammable materials in the ventilation slots of the unit's cover, as this may result in fire or electric shock.

SAFETY PRECAUTIONS

CAUTION

When Installing the Unit

- Never plug in nor remove the power supply plug with wet hands, as doing so may cause electric shock.
- When unplugging the power supply cord, be sure to grasp the power supply plug; never pull on the cord itself. Operating the unit with a damaged power supply cord may cause a fire or electric shock.
- When moving the unit, be sure to remove its power supply cord from the wall outlet. Moving the unit with the power cord connected to the outlet may cause damage to the power cord, resulting in fire or electric shock. When removing the power cord, be sure to hold its plug to pull.
- Do not block the ventilation slots in the unit's cover. Doing so may cause heat to build up inside the unit and result in fire.
- Avoid installing the unit in humid or dusty locations, in locations exposed to the direct sunlight, near the heaters, or in locations generating sooty smoke or steam as doing otherwise may result in fire or electric shock.

When the Unit is in Use

- Do not place heavy objects on the unit as this may cause it to fall or break which may result in personal injury and/or property damage. In addition, the object itself may fall off and cause injury and/or damage.
- Make sure that the volume control is set to minimum position before power is switched on. Loud noise produced at high volume when power is switched on can impair hearing.
- Do not operate the unit for an extended period of time with the sound distorting. This is an indication of a malfunction, which in turn can cause heat to generate and result in a fire.
- Contact your **ITC** dealer as to the cleaning. If dust is allowed to accumulate in the unit over a long period of time, a fire or damage to the unit may result.
- If dust accumulates on the power supply plug or in the wall AC outlet, a fire may result. Clean it periodically. In addition, insert the plug in the wall outlet securely.
- Switch off the power, and unplug the power supply plug from the AC outlet for safety purposes when cleaning or leaving the unit unused for 10 days or more. Doing otherwise may cause a fire or electric shock.

An all-pole mains switch with a contact separation of at least 3 mm in each pole shall be incorporated in the electrical installation of the building.

2. GENERAL DESCRIPTION

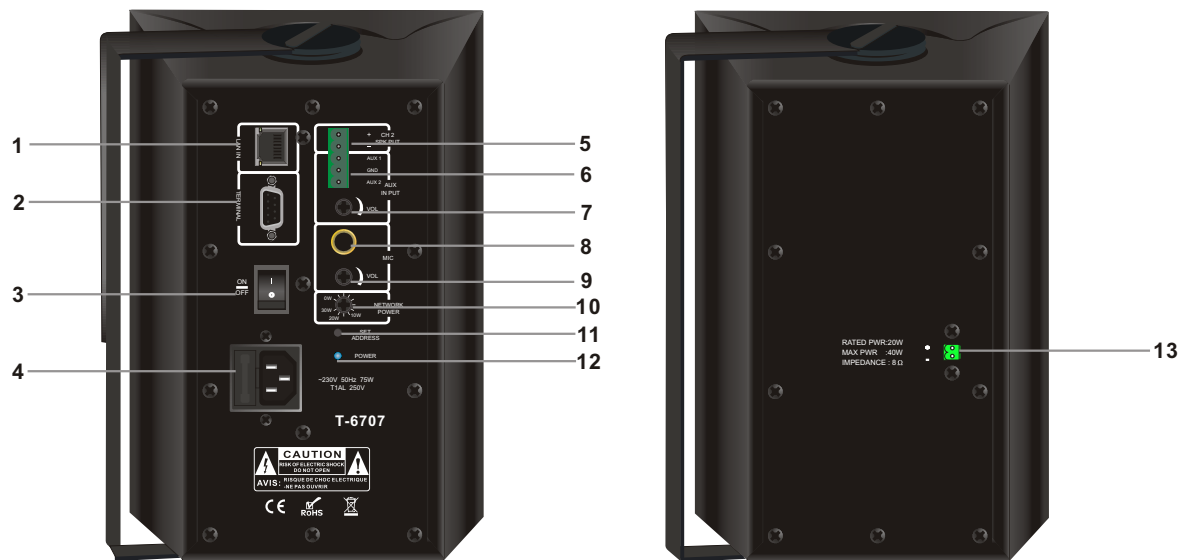
IP network active speakers with high efficiency, small volume, light weight, good, simple, and the sound Canon, practical advantages, can be widely used in the meeting place, home, entertainment, professional performance Such as amplification area, has the good market prospect.

3. FEATURES

1. Integrated design, integrated network decoding module, digital power amplifier, and speakers
2. Built-in hi-fi speakers, stereo power amplifier 8 Ω 2X30W
3. Built on demand acquisition module, the realization of real-time signal acquisition function
4. Support stereo line input and volume adjustment functions
5. Support network volume
6. The power output, outside enlarge 8 Ω /30 w speaker constant resistance
7. Can be connected to the Ethernet front-end ports, across network segment and routing
8. Address reset function
9. With a microphone input and volume adjustment functions

4. NOMENCLATURE AND FUNCTIONS

● FRONT



1. Connect the Ethernet / switch port (RJ45 interface)
2. Serial line interface, the connection can be set to address code
3. Powerswitch
4. AC power input
5. Loudspeaker output, external deputy speaker
6. Stereo line input
7. AUX volume potentiometer

8. MIC 6.3 single input
9. MIC volume potentiometer
10. Network potentiometer
11. Address code reset buttons, press 9 seconds long this button, then press 3 times in a row, can restore the factory IP address
12. Power indicator light
13. Deputy box input end, connecting the main output terminal box on the horn

5. OPERATION

1.Connect the TERMINAL and computer's TERMINAL with serial port line or change to USB connector, open "All Program" from "Start" in computer, find INTELLIGENT NETWORK BROADCAST then choose TERMINAL CONFIGURE PROGRAM 2.36, run software program , open terminal configure window 1, in serial port mode, click INQUIRY, then there will be window 2.

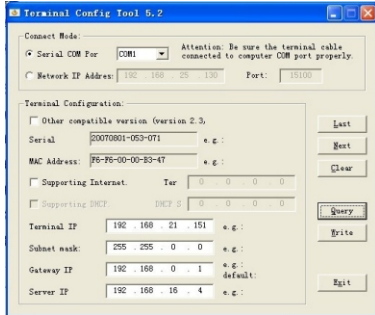


Diagram 1

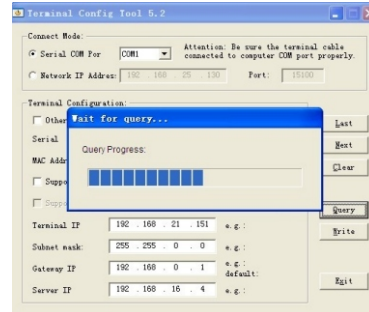


Diagram 2

Click Inquire

After inquire(whether configure terminal), confirm IP address correct or not, write the IP Address (Eg.192.168.1.100), the window as diagram 3 appear. After confirm the IP address,click write,after writing and confirm it is correct, then the window as diagram 4 appear (terminal configure wil get the physical address MAC automatically).

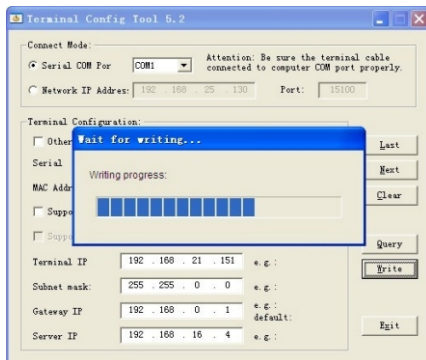


Diagram 3

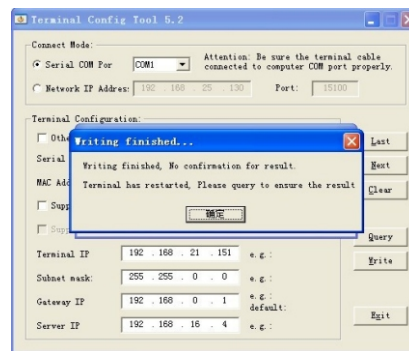


Diagram 4

After click CONFIRM, change the connection mode to be network, write the same IP in address bar as Diagram 5, click INQUIRE. After inquiry, then the window as diagram 6 appear. The terminal configure is ok.

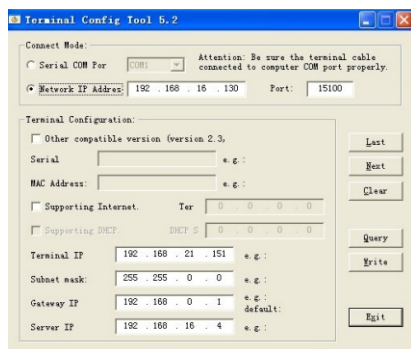


Diagram 5

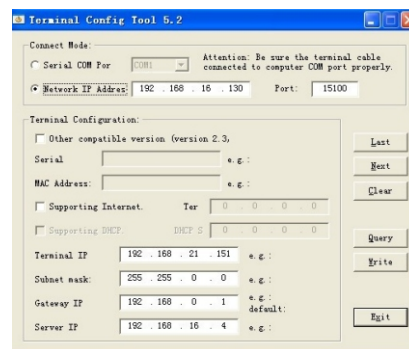


Diagram 6

OPERATION

2. IP network PA system configure:

In Terminal Configure, set one IP call code to be paging center, press paging key, then it can realize telecom communication between two terminals.

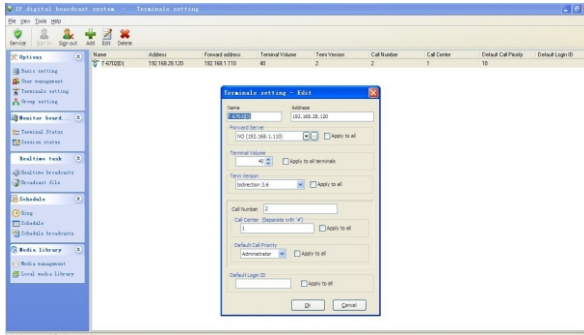


Diagram 7

- **Note the power switch**

1. Power switch: (1) switch up to play, power on;

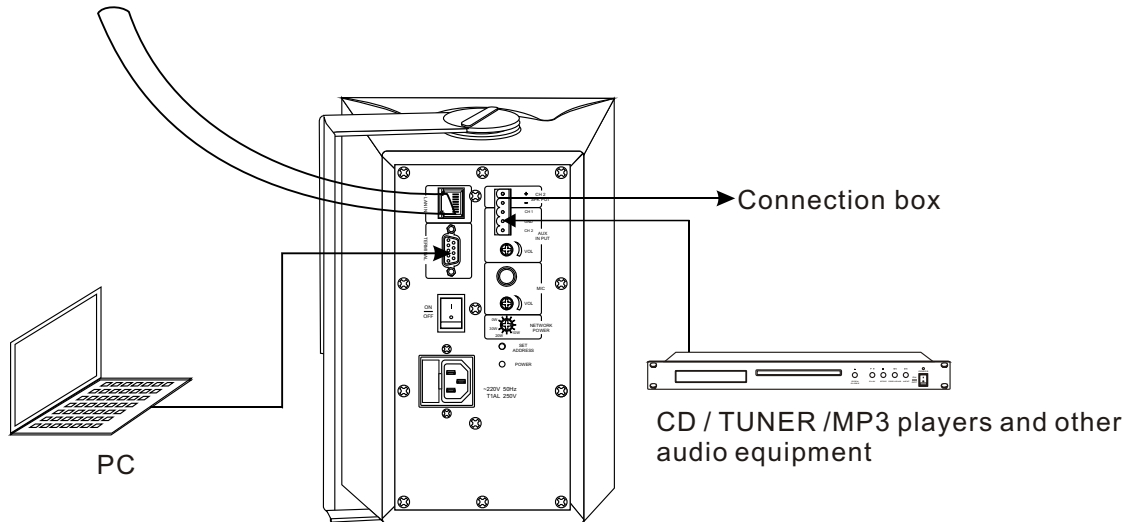
- (2) switch to play down, power off;

2. Power switch for the single pole switch, switch off state, the device does not

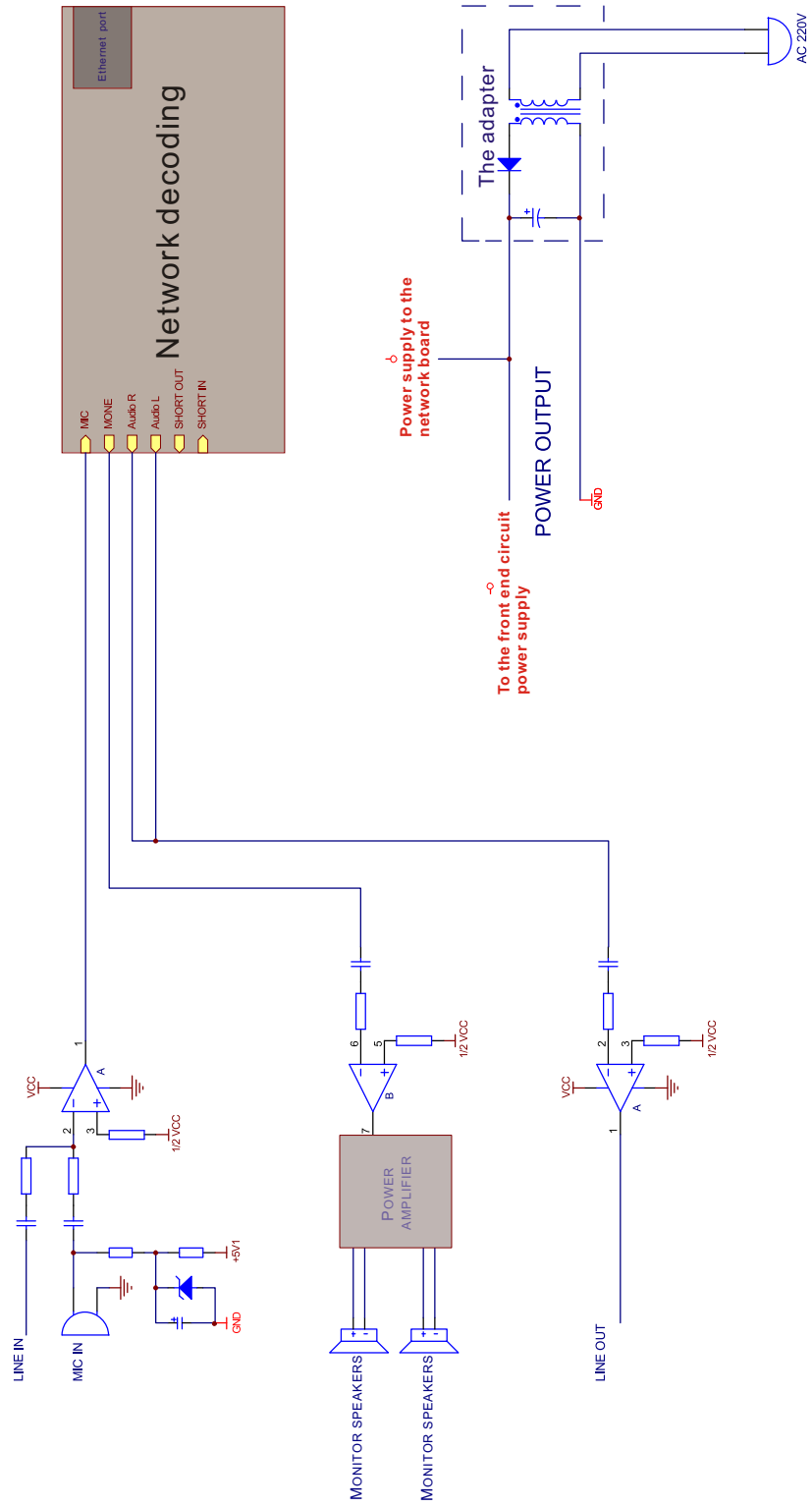
completely disconnect the power grid, unused equipment must unplug the power plug.

6.CONNECTION DIAGRAM

Connect the Ethernet /switch port



7. SCHEMATIC DIAGRAM



8. SPECIFICATIONS

Network Input	Standard RJ45×1,3 Input, 2 output (need insert the switcher)
Protocol Support	TCP/IP, UDP, IGMP (group broadcasting)
Audio Format	MP3/MP2
Sampling Rate	8K-48KHz
Transmit Speed	10Mbps
Audio Format	16 digit stereo CD tone
Frequency Output	20Hz~16KHz
T.H.D	≤0.3%
S.N	>70dB
Address reset function	Address code reset buttons
Output impedance and power rating	8Ω/30W Lndustry standard terminal blocks
Working temperature	5℃~40℃
Working Humidity	20%~80%RH,condersation
Power Consumption	≤75W
Power Supply	~220-240V 50-60Hz
Dimension	245X185X215mm
N.W	6Kg

IP NETWORK PUBLIC ADDRESS SYSTEM

VersionV0.3

